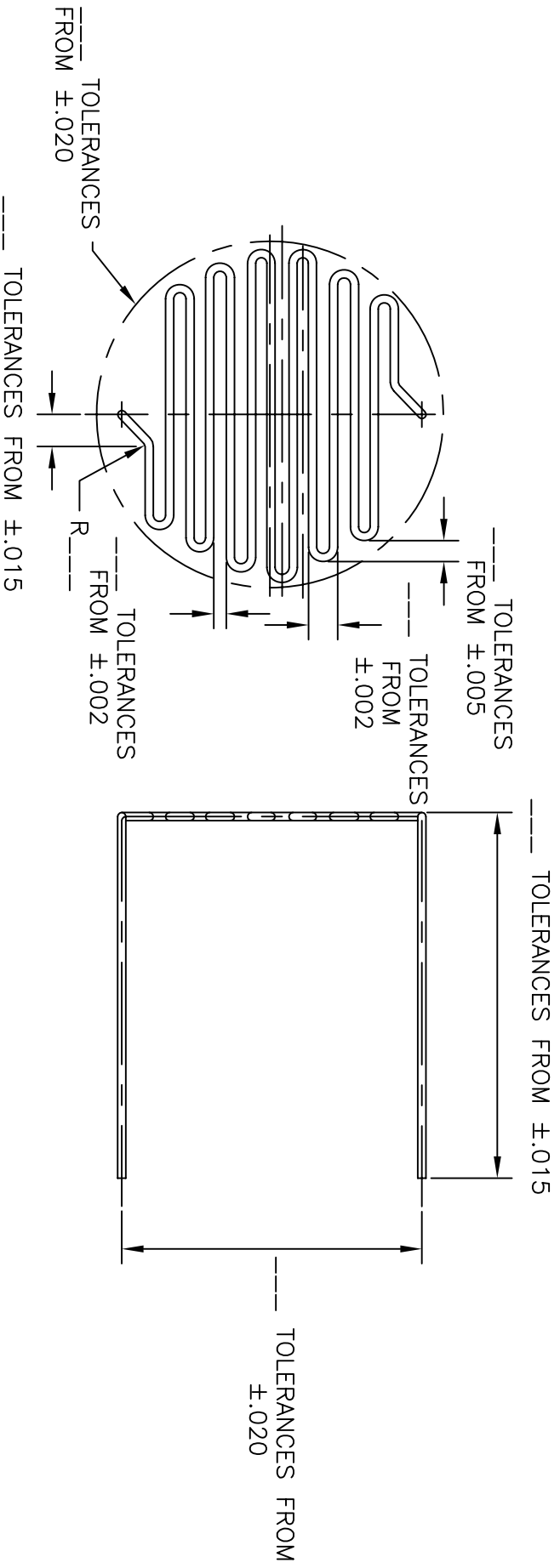


NEXT ASSY.	USED ON



- NOTES
1. WIRE DIAMETER ----- ±1.5%
 2. MATERIAL TYPE -----
 3. NUMBER OF TURNS -----

		SCALE	NONE	TITLE	HEATER	
		DR. BY	DATE	MAT'L	SEE NOTES	
		CH. BY	DATE	ALL DIMENSIONS IN INCHES UNLESS OTHERWISE NOTED	STANDARD TOLERANCES	ANG ±1/2° SUR ✓
REV.	DATE	CHANGE	APR. BY	DATE	1PL ±.1	2PL ±.02
					3PL ±.005	
				UNION CITY FILAMENT CORP. 1039A HOYT AVE, RIDGEFIELD, NJ 07657 201-945-3366		
				SIZE	A	
				DWG #		